

H-100





**Your dependable
business partner.**

You demand a lot from your truck and for good reasons:
Your customers expect the job to be on budget and on time.
So no matter how tough the conditions, the H-100 delivers 100
percent of the time.

Professional

Sleek and modern, the H-100 is a real beauty. To light up the road ahead, clear-type headlamps light offer a choice of four modes including daytime running lights. But the H-100 is also a beast thanks to its powerful engine and ruggedly built ladder frame. When it comes to handling the bigger jobs, the H-100 proves more than capable but it also takes on the smaller ones with marvellous efficiency.



Nice job

Purpose-built for the small business owner, the H-100 is a reliable and versatile performer that will help improve your bottom line. Designed to operate under the toughest of conditions, the H-100 is the confident choice of professionals.





Total control

Driving perfection begins with the perfect seat position and a new, lighter steering wheel. You get clear lines of sight in all directions made even better by the logical, intuitive layout of instruments and controls. The cabin is simply a masterpiece of intelligent design.



5/6 Speed manual transmission

The 5-speed transmission is mated to the 2.4 engine while the 6-speed is paired with the 2.0. Both gearboxes are Hyundai-made and are renowned for their efficiency and exceptional durability. Clutch take-up is very smooth and progressive.

01_Audio system

The optional audio system includes an AM/FM radio, CD/MP3 player, AUX-USB inputs and door-mounted tweeters for optimal sound fidelity. All models are equipped with a pair of door-mounted speakers.

02_Cluster

The instrument panel layout is simple but modern and a pure pleasure to use. Gauges are extra large and easy-to-read, day or night. The standard equipment package includes an LCD odometer and trip computer.

03_Air conditioning system

Climate controls feature enhanced functionality courtesy of new, push-button-type electric switches that deliver a much more precise feel. And they also backlit for easier nighttime operation.





Electronic stability control (ESC)

The optional electronic stability control (ESC) helps you maintain directional control particularly when braking hard on slippery road surfaces. (*Available in select markets and on some models only. Kindly consult with your local Hyundai dealer.)

D1, 2.5 CRDI diesel engine

The clean-running 2.5 diesel features dual overhead camshafts and a common rail diesel injectors and delivers 130PS @ 3,800rpm.

D2, 2.6 diesel engine

The naturally aspirated 2.6 diesel employs single overhead cam and delivers 80PS @ 4,000rpm.

Depend on it

H-100 powertrains are tried and true. Day in and day out, these workhorses are designed to work around the clock, seven days a week with a minimum of preventive maintenance requirements. The H-100: a truck you can truly depend on.



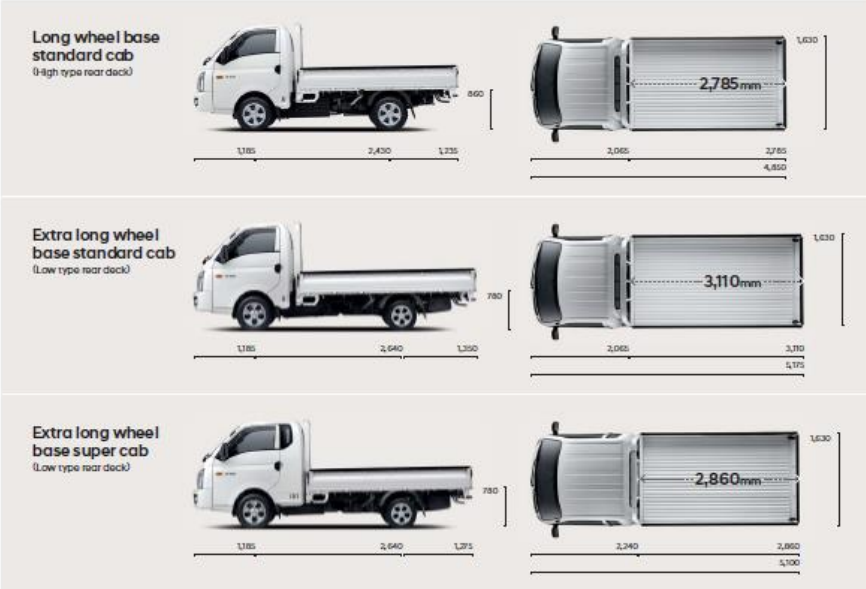
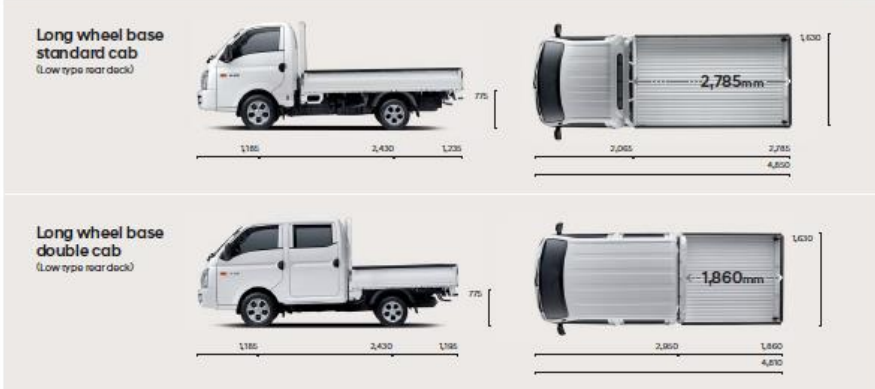
01



02

Diversity

The H-100 is a versatile performer, designed to meet a multitude of transport challenges and is available in variety of configurations. Each model offers a unique combination of crew and cargo carrying capacity. So, whichever model you decide is right for you, you can always choose with confidence.



Features



Hood
Power window controls

Side step

Tool box
Brim cover & tailgate bolt

Wide view outside mirror
Bottle storage & door map pocket

Glove box
Room lamp & sunglasses holder

Colors

Exterior



Interior



Creamy White YAW

Onyx Blue ZA

Gray leather

Wheels



15" Steel wheels

Specifications

* Super cab extra-long wheel base is available only with 2.6 engine

Type	Low deck		High deck		
Cab	Standard / Super / Double		Standard		
Engine	2.6 diesel (Natural aspiration)	2.5 diesel (CRDi)	2.6 diesel (Natural aspiration)	2.5 diesel (CRDi)	
Displacement (cc)	2,607	2,497	2,607	2,497	
Bore x stroke (mm)	91.1X 100	91X 96	91.1X 100	91X 96	
Compression ratio	22.0:1	16.4:1	22.0:1	16.4:1	
Max.Power (PS / rpm)	80 / 4,000	130 / 3,800	80 / 4,000	130 / 3,800	
Max.Torque (kg-m / rpm)	17 / 2,300	26 / 1,500-3,300	17 / 2,300	26 / 1,500-3,500	
Transmission	Type	Manual			
		5-Speed	6-Speed	5-Speed	6-Speed
Clutch	Type	Dry type with single friction plate			
	Disc facing diameter (Outside x Thickness)	240 X 8.5	234 X 8.7	240 X 8.5	234 X 8.7
Wheel & tire	Wheel type	Steel			
	Wheel size	Front	5.5J X 15"		5.0J X 15"
		Rear	4.0J X 13"		5.0J X 15"
	Tire size	Front	195 / 70R15C-6PR		195 / 70R15C-6PR
		Rear	145R13C-6PR		195 / 70R15C-6PR
Spare tire		Full-size 292		Full-size 292	

-Some of the equipment illustrated or described in this catalog may not be supplied as standard equipment and may be available at extra cost.

-Hyundai Motor Company reserves the right to change specifications and equipment without prior notice.

-The color plates shown may vary slightly from the actual colors due to the limitations of the printing process.

-Please consult your dealer for full information and availability on colors and tires.



*Above dimensions are based on standard cab
**no long wheel base pictured here

Unit: mm